

## PRODUCT DATASHEET

### Evergreen Style Design Recessed Mounted Panel Light HYD-116C-15W 3K/4K/6K



---

### Application

- Household living room
- Mall
- Commercial place
- Corridors
- Hotel

---

### Benefit

- Flicker free
- Low lumen depreciation
- Internal reflector to increase optical efficiency
- Detachable driver design or DOB design could be option

---

### Feature

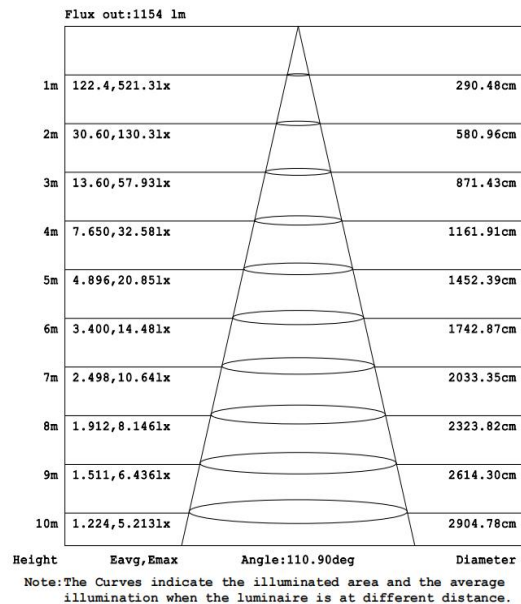
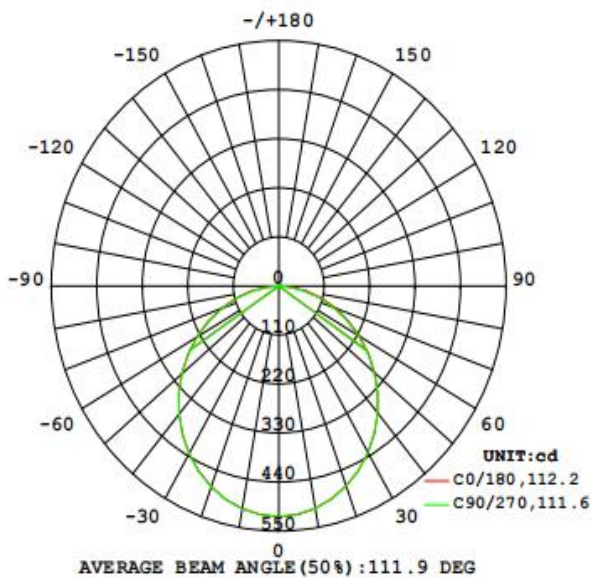
- Warranty 5 years
- Yellowing-resistant diffuser (PC)
- Buckle design, easy and quick installation
- Die-cast aluminum body for better heat dissipation, anti-corrosion

## Electrical Data

Nominal wattage (W)	<b>15W</b>
Nominal Voltage (V)	220-240
Mains Frequency (Hz)	50-60
Nominal Current (mA)	111
LED Driver Current (mA)	350
LED Driver Voltage (V)	27-40
LED Driver Efficiency (%)	83%
Power factor $\lambda$	0.6C
Total harmonic distortion (%)	...
Operating mode	External LED driver

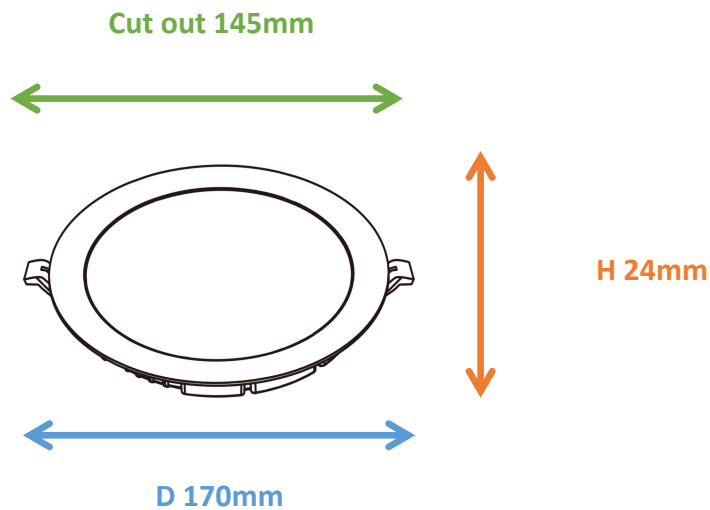
## Photometrical data

Luminous flux $\pm 10\%$ (lm)	1429.2	1588	1491
Luminous efficacy (lm/w)	102.6	114	111
Color temperature	<b>3000K</b>	<b>4000K</b>	<b>6000K</b>
Light color (designation)	Warm White	Nature White	Cold White
Color rendering index Ra	$\geq 80$		
Standard deviation of color matching	$\leq 5$ SDCM		
Luminous intensity	517 cd		
Flickering	Flicker free		
Beam angle	112 °		



## Dimensions & Weight

Diameter (mm)	170
Height (mm)	24
Product weight (g)	340



## Material & Colors

Product color	White sink / White frame
Housing color	White
Body material	Aluminum
LGP material	PC
Mercury content	0.0 mg

## Application & Mounting

Ambient temperature range	-10-40 °C
Temperature range at storage	-10-40 °C
Type of connection	Screwless terminal
Type of protection	IP20
Dimmable	No
Mounting type	Recesse mounted
Mounting location	Ceiling
Application environment	Indoor
Cut size (mm)	145
LED module replaceable	Not replaceable
With light source	Yes

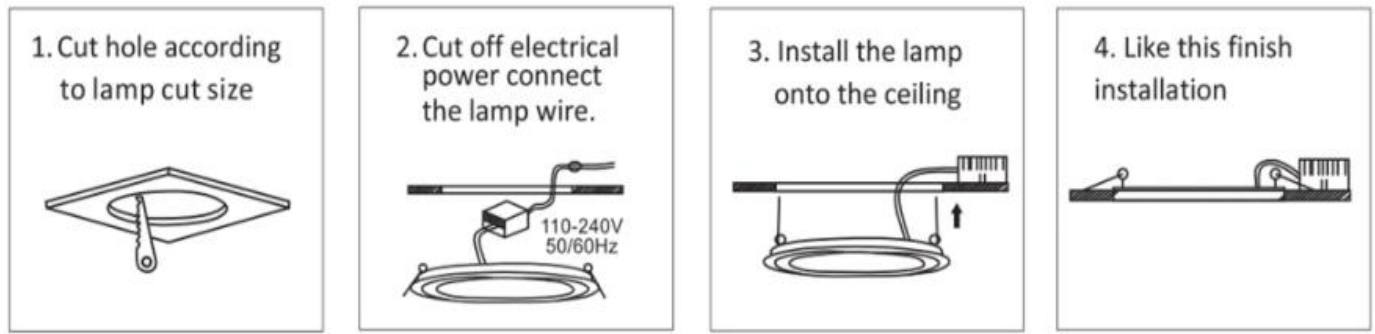
## Certificates & Lifespan

Life (h)	50,000
Certificates	CB / CE
Standards	ISO9001:2015

## Logistical Data

Product code	Dimensions (L*W*H)	Pcs/ carton	G.W. kg	Volume CBM
HYD-116C-15W	47*37*39.5 cm	40	...	0.06869

## Installation Method



## Disclaimer

Subject to change without notice. Errors and omission excepted. Always make sure to use the most recent release.